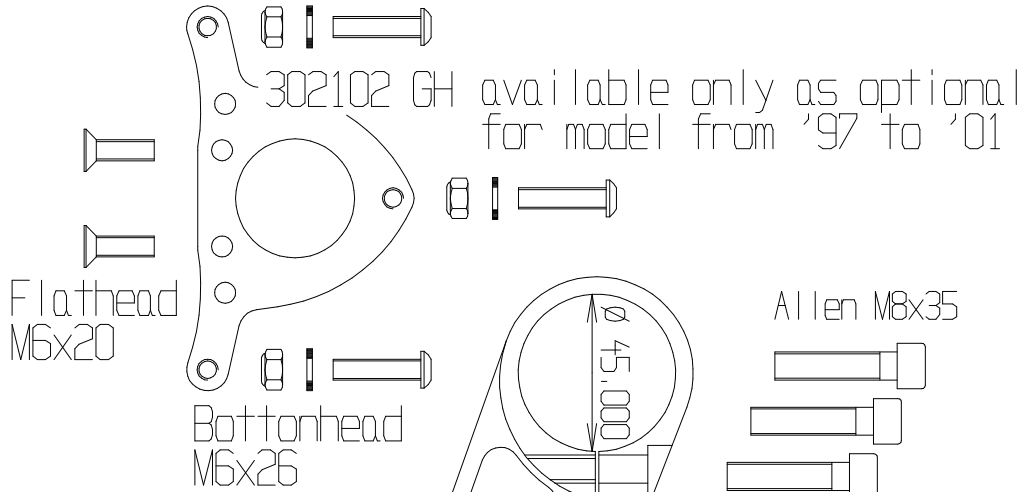
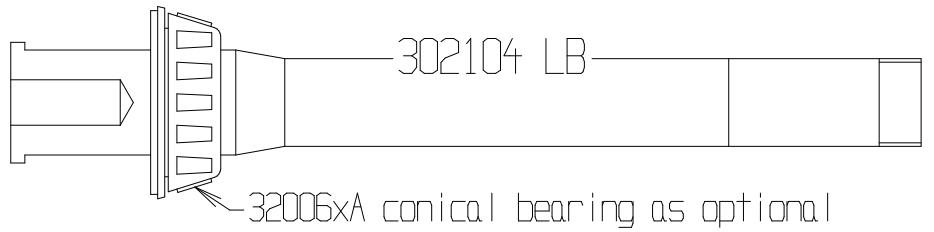


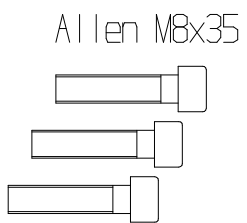
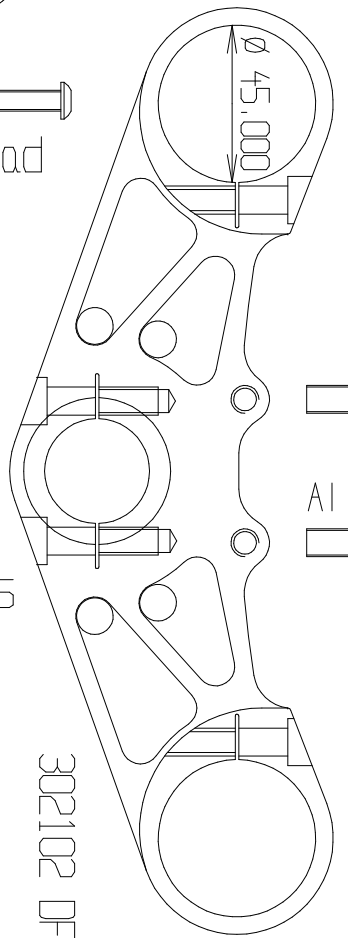
# Triumph Speed Triple Triple Trees 955

## 302112

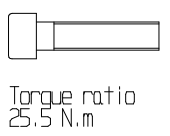
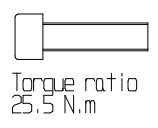


Flathead  
M6x20

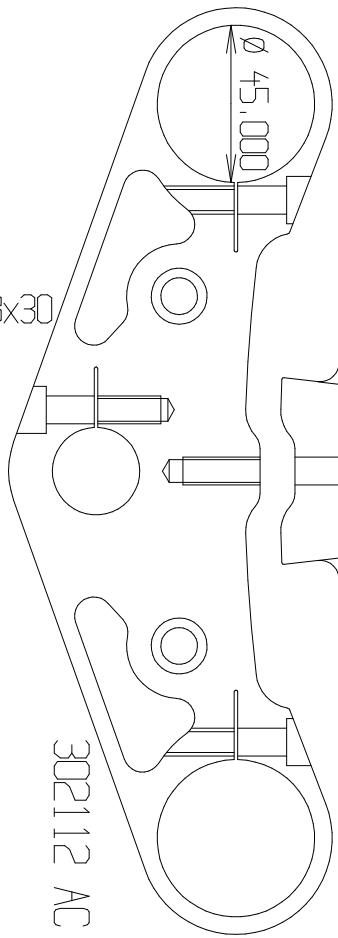
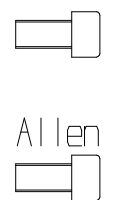
Bottomhead  
M6x26



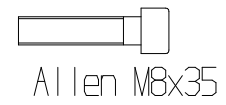
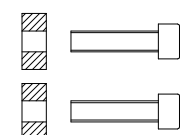
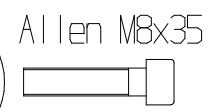
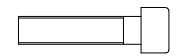
Allen M8x30



Allen M8x35



Torque ratio 25.5 N.m  
Allen M8x35



302104 GT

302104 LE

